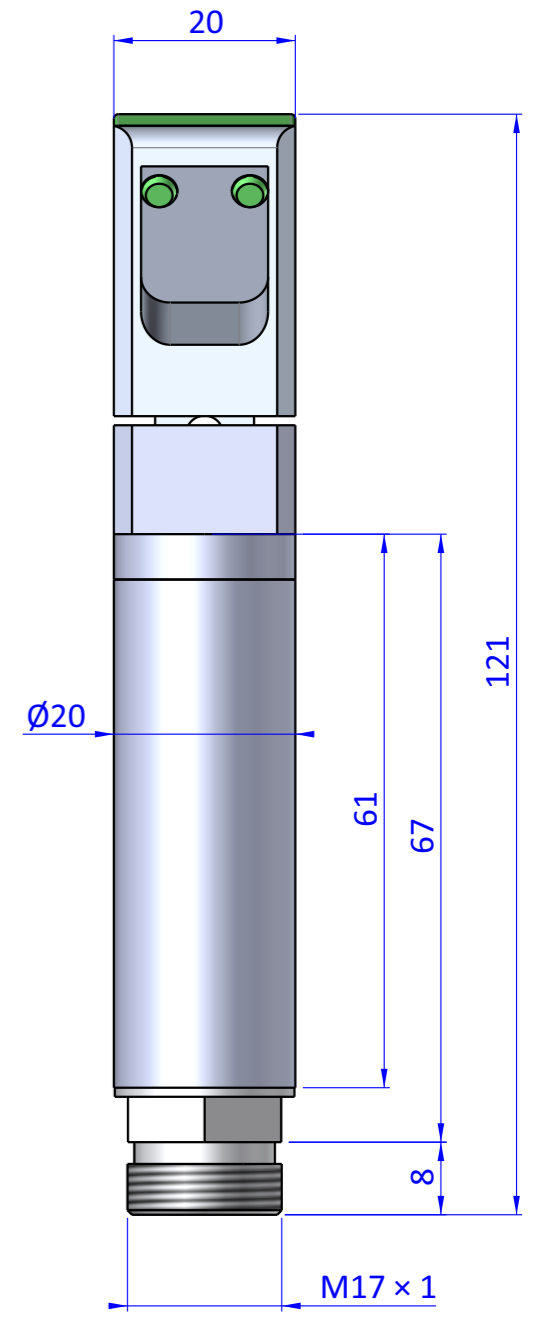
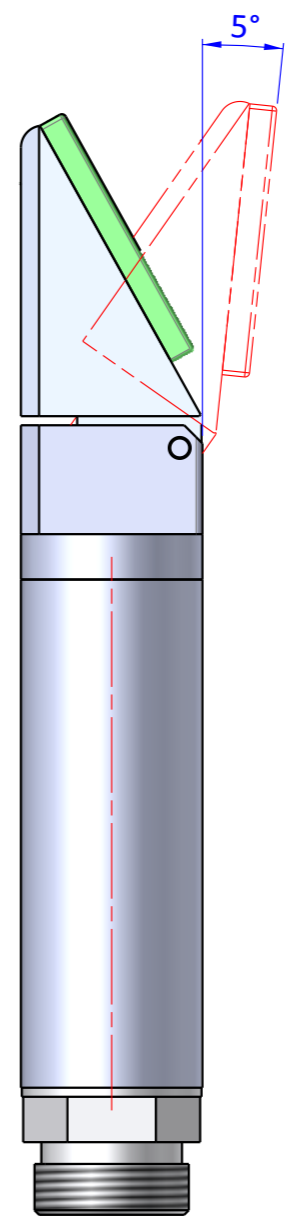
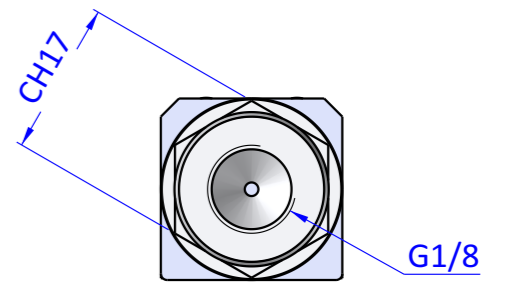
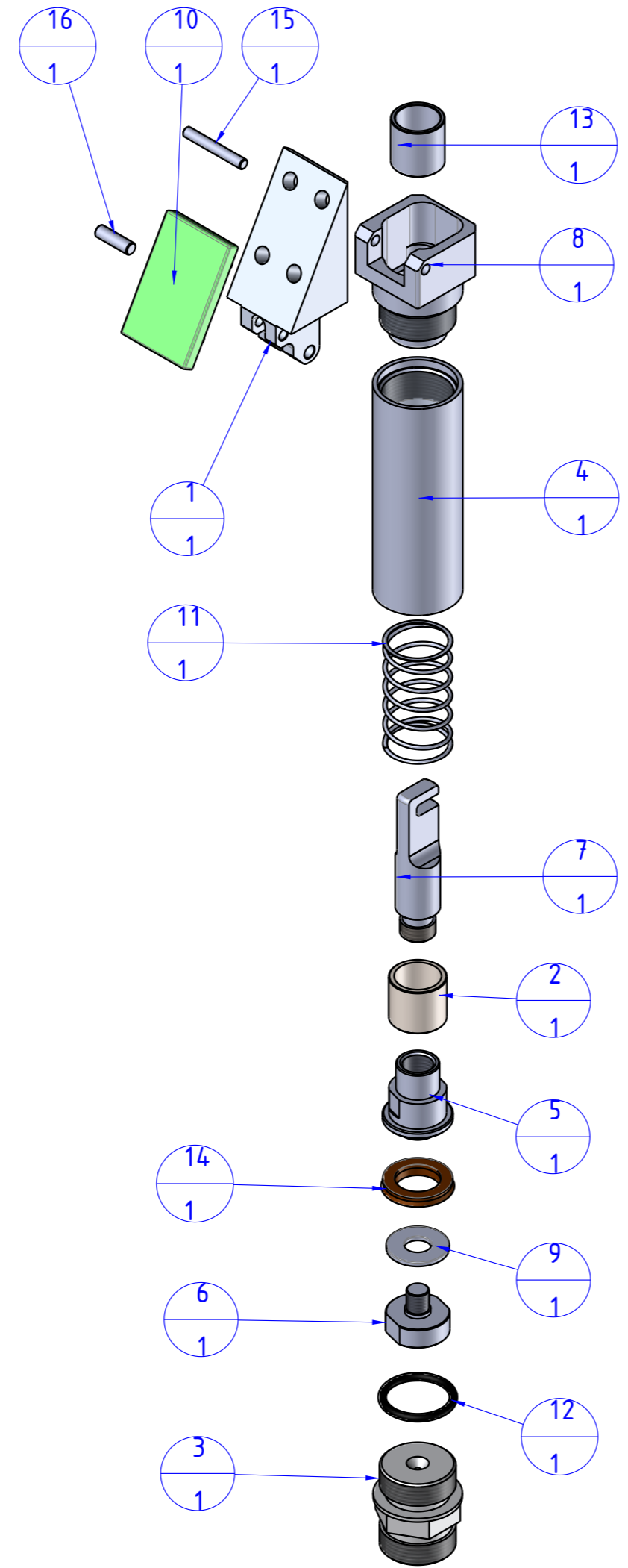



THE PROPERTY OF THE DRAWING IS ESTABLISHED BY LAW. IT IS FORBIDDEN TO PRODUCE OR SHOW IT TO THIRD PART - WITHOUT A WRITTEN AGREEMENT.

Item	Name	Q.ty
1	GRF20.25.09	1
2	GRF20.35.08	1
3	GRF20.95.01	1
4	GRF20.95.02	1
5	GRF20.95.03	1
6	GRF20.95.03.2	1
7	GRF20.95.04	1
8	GRF20.95.05	1
9	GRF20.95.10	1
10	GRF30.95.08.V	1
11	M.GRF.2095.1	1
12	OR.2056	1
13	PAP.101212	1
14	PSP.1610255	1
15	SP.2,5x18M6	1
16	SP.3x10M6	1



Format A3  
UNI 936-76

 <b>FPS</b> FPSERVICES AUTOMATION		DESIGNED FROM		REVIEW
		FPS Automation		A
GENERAL TOLERANCE		DATE	WEIGHT	
UNI - ISO 2768		22/11/2022	0,089kg	
CLASSE f		CODE		
		CA.GRF.2035		CA.GRF.2025.G